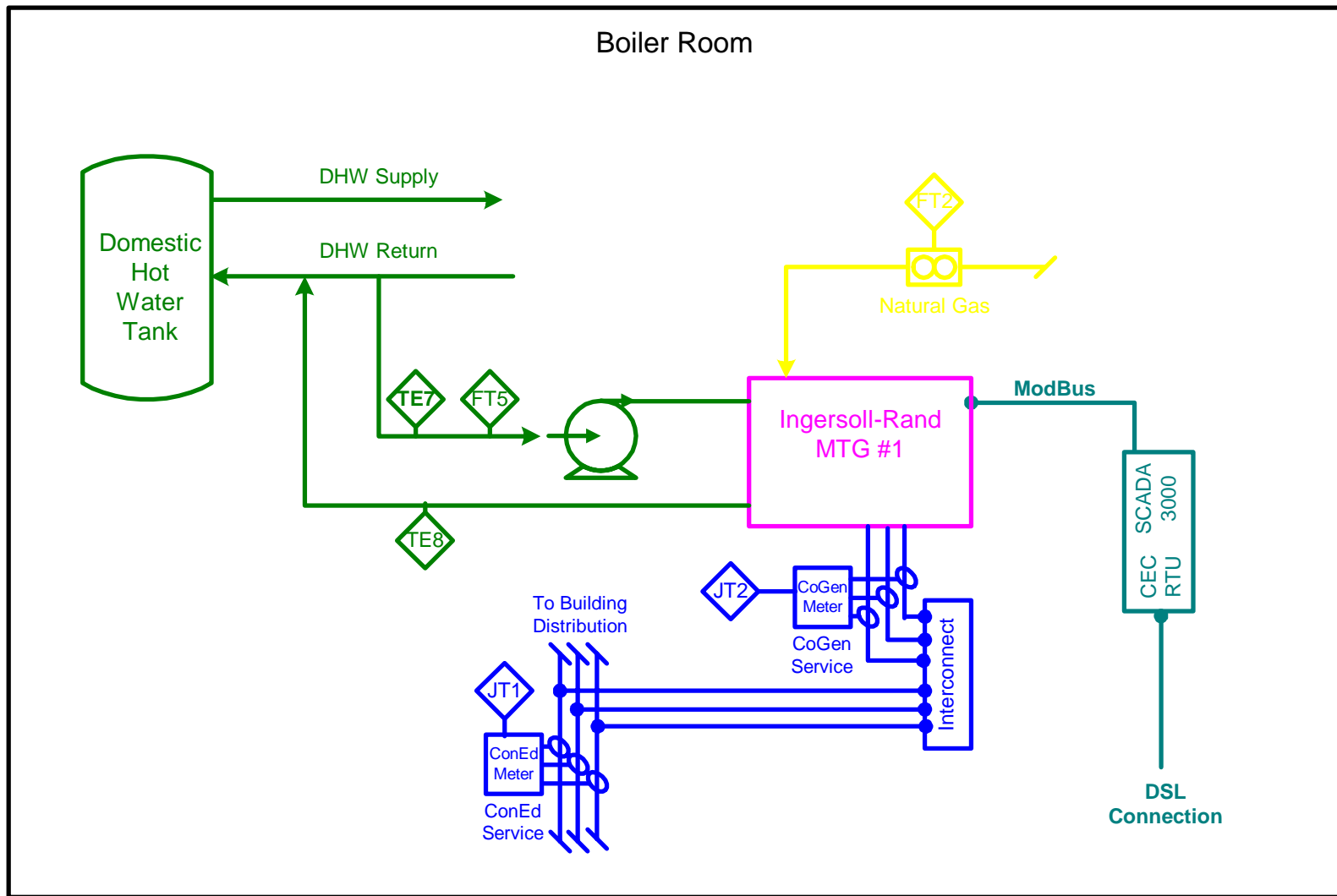


# CHP Schematic Diagram



DESCRIPTION	DATE	TITLE
10 W 66th Street	7/8/2004	P&ID